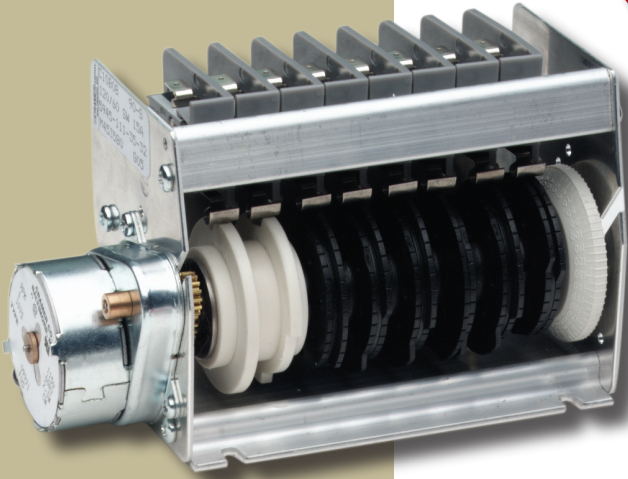


Motorized Cycle Timers

Models C10 & C11

Cycle Timers are used to control multiple timing-related functions in machinery or appliances.



**CRAMER
MOTORS®** Model C10 Shown

Applications Include:

- Control multiple functions in commercial dishwashers, e.g. waterfill, detergent, rinse and drain
- Alternate running time on series of pumps to extend pump life
- Control defrost cycle in commercial refrigeration, heat pumps and air conditioners
- Process controls

Cam Type:

- Factory cut to customer specifications
- Field Adjustable

Features:

- Large diameter cams for setting accuracy
- Rigid extruded aluminum chassis
- Degree wheel for ease of programming
- Multiple switch capability
- Replaceable switches and motors for faster field service
- Permanent magnet motor drive for fast starts – fast stops
- Factory programming available

Rating Data:

Repeat Accuracy	0.5% of cycle on continuous cycling
Setting Accuracy on Cams	3° at any one operating point 6° between any two operating points
Switch Rating	Resistive AC: 10 amp. @ 120v, 240v 1/3 HP @ 120v, 240v Resistive DC: 1/2 amp. @ 120v, 1/4 amp. @ 240v Optional 15 amp., 1/2 HP switch available
Switch Terminals	STD 3/16" Male Quick Disconnect
Power Consumption	Approximately 3 watts
Agency Approval	UL & CSA

**CRAMER
COMPANY**

Precision Timers and Motion Devices

105 Nutmeg Road South
South Windsor, CT 06074 USA

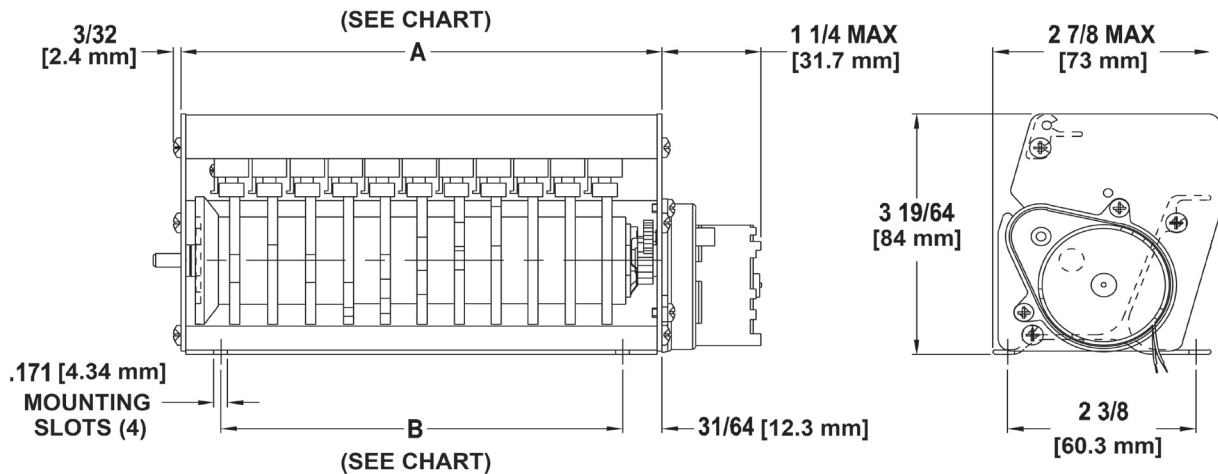
P: 860.291.8402

F: 860.610.0897

cramer-motors.com

Motorized Cycle Timers

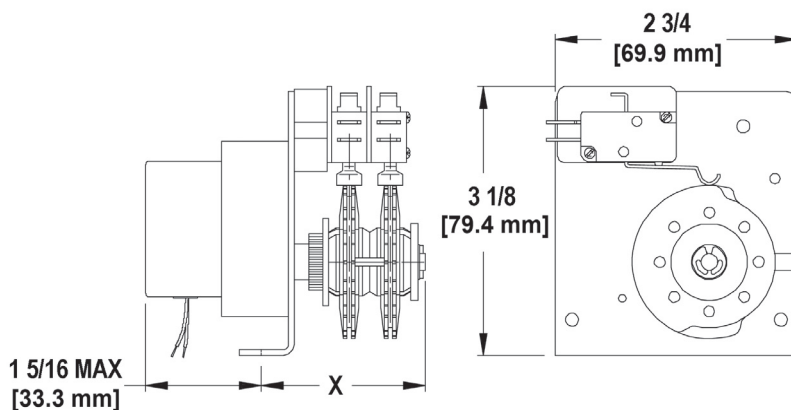
Dimensions for C10:



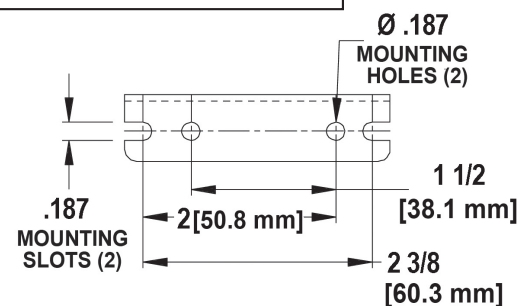
Number of Cams	A		B	
3	2 5/16 (in.)	[58.7 mm]	1 21/64 (in.)	[33.7 mm]
4	2 25/32 (in.)	[70.6 mm]	1 51/64 (in.)	[45.6 mm]
5	3 1/4 (in.)	[82.5 mm]	2 17/64 (in.)	[57.5 mm]
6	3 23/32 (in.)	[94.5 mm]	2 47/64 (in.)	[69.5 mm]
8	4 21/32 (in.)	[118.3 mm]	3 43/64 (in.)	[93.3 mm]
10	5 19/32 (in.)	[142.1 mm]	4 39/64 (in.)	[117.1 mm]

Dimensions: INCH [MM]

Dimensions for C11:



Number of Cams	X	
1	1 11/32 (in.)	[34.13 mm]
2	1 13/16 (in.)	[46.03 mm]
3	2 9/32 (in.)	[57.94 mm]



Cycle Time Specification:

When specifying a cycle timer for meeting your application requirements, Cramer Company requires information relating to number of cams, description of timing function, e.g., wash, rinse cycle, timing degree, for each cam.

To assist you in specifying the requirements above, please visit cramer-motors.com or call our sales staff to request a specification worksheet for completing this information.

Warranty: Cramer warrants its products against defective material or workmanship for a period of one year from the date of shipment from factory, providing product has been used in accordance with instructions and specified ratings. Consult factory for further details concerning our warranty policy.

CRAMER
COMPANY

A Division of Capewell Components Company LLC

105 Nutmeg Road South • South Windsor, CT 06074 USA
P: 860.291.8402 • F: 860.610.0897 • cramer-motors.com