



Wall Box Technology For Ventilation Control

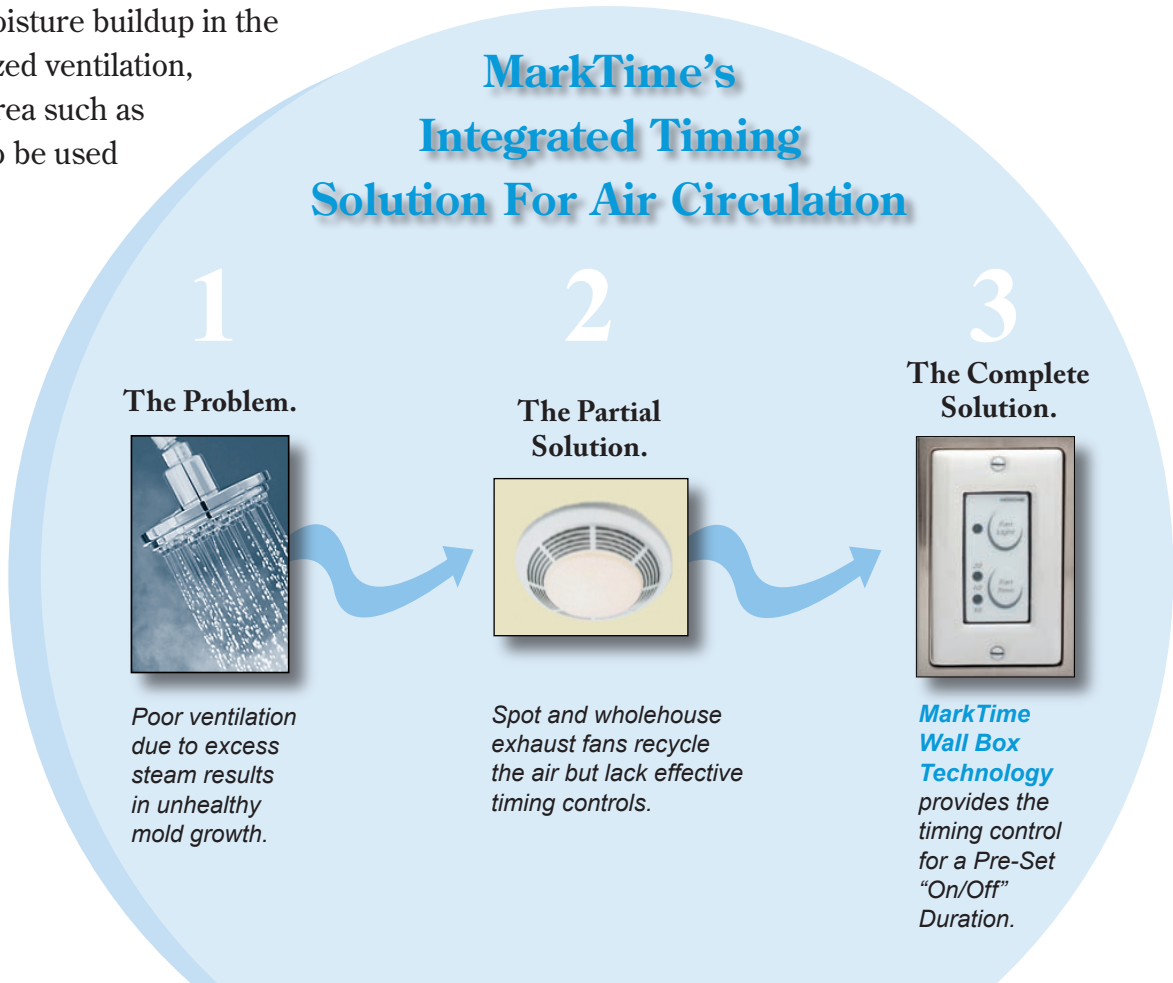
The Benefits of Proper Ventilation

It's no secret that homes, businesses, hotels and other commercial facilities need ventilation to reduce pollutants, moisture and odors. For example, if excess moisture is not removed from bathrooms, high humidity levels can lead to mold growth and buildup of allergens, as well as potentially serious structural damage.

But did you know that exhaust fans are only one ingredient to effective ventilation? With its unique timer-controlled devices, the **MarkTime® Wall Box Technology** ensures rooms and facilities are properly ventilated for the right amount of time, while also saving energy.

Wholehouse ventilation (such as an attic fan) removes hot air in the summer and replaces it with cool air, preventing weather-induced home deterioration caused by heat and moisture buildup in the home. "Spot" or localized ventilation, used for a particular area such as the bathroom, can also be used to recycle air.

While both types of ventilation contribute significantly to good health and structure protection, a control device is needed to complete the solution. With single or dual switching control, MarkTime allows for independently turning on a fan for a pre-set time.



42E01 Series ~~This product has been DISCONTINUED~~ Electronic Fan/Light Time Switch

Dual Switch Control

Dual switch control for independently turning “On” and “Off” a light circuit or turning “On” a fan for a pre-set time duration, removing excess moisture from a bathroom, preventing mold and bacteria growth.

Used in: Residential and Commercial Bathrooms

Product Specifications

- Pre-set time duration with set ranges of 20, 40 and 60 minutes
- Ratings: 120VAC, 1/6 hp (4.4 amp max) motor loads, 500 watts incandescent light
- Purchase package includes both white and ivory switch overlays with adhesive backing for affixing desired color at installation
- Illuminated indicator light for locating in darkened areas
- Hardware items include captive mounting screws and wire nuts



42E02 Series Electronic Fan/Light Time Switch

Single Switch Control

Single switch control for turning “On” fan and light circuits simultaneously and turning light manually “Off,” allowing fan to remain “On” for a pre-set time duration. This feature prevents the fan from being manually shut “Off” before removing excess moisture from a bathroom, preventing mold and bacteria growth.

Used in: Residential and Commercial Bathrooms

Product Specifications

- Pre-set time duration with set ranges of 20, 40 and 60 minutes
- Ratings: 120VAC, 1/6 hp (4.4 amp max) motor loads, 500 watts incandescent light
- Purchase package includes both white and ivory switch overlays with adhesive backing for affixing desired color at installation
- Illuminated indicator light for locating in darkened areas
- Hardware items include captive mounting screws and wire nuts



Switch Plate Sold Separately



42E20 Series Electronic Wall Box Time Switch

Single Switch Control

Single circuit switch for turning “On” a device for a pre-set time duration such as an attic fan for heat removal and moisture protection.

Used in: Wholehouse Exhaust Fans

Product Specifications

- Pre-set time ranges of 15, 30, 60, 120 minute and 1, 2, 4, 8 hr. units
- Illuminated red indicator light for locating in darkened areas
- Ratings: 120VAC, 1/3 hp (7.2 amp) motor loads, 500 watts incandescent light
- Purchase package includes both white and ivory switch overlays with adhesive backing for affixing desired color at installation
- Timer used strictly in a “timed” mode only
- Hardware items include captive mounting screws and wire nuts



42 Series Commercial Grade Fan/Light Time Switch

Commercial grade toggle switch for simultaneously turning “On” a light and fan, and when switch is toggled in the down position, light turns “Off” and the fan remains “On” for a pre-set time duration up to 60 minutes.

Used in: Commercial Bathrooms and Institutional Facilities

Product Specifications

- Two-position configuration: Light and Fan On/Timed Fan
- Three-position configuration: Light and Fan On/Off/ Timed Fan
- Ratings: 120VAC, 1/3 hp (7.2 amp max), 500 watts incandescent light
- Fan remains on for a predetermined period of time up to 60 minutes adjusted at time of installation
- Available in white or ivory toggle switches



93 Series Commercial Grade Wall Box Time Switch

Interchangeable with standard toggle switches to turn circuits either “On” or “Off” at the end of a pre-set time duration. Time ranges from 15 minutes to 12 hours.

Used in: Wholehouse Exhaust Fans, Heat Lamps, Whirlpools and Saunas

Product Specifications

- Ratings: 125VAC, 1 hp, 20 amps
- Hardware items include captive mounting screws and wire nuts
- Combined N.O. and N.C. switching configuration
- Package includes both white and ivory knobs and decorator dials



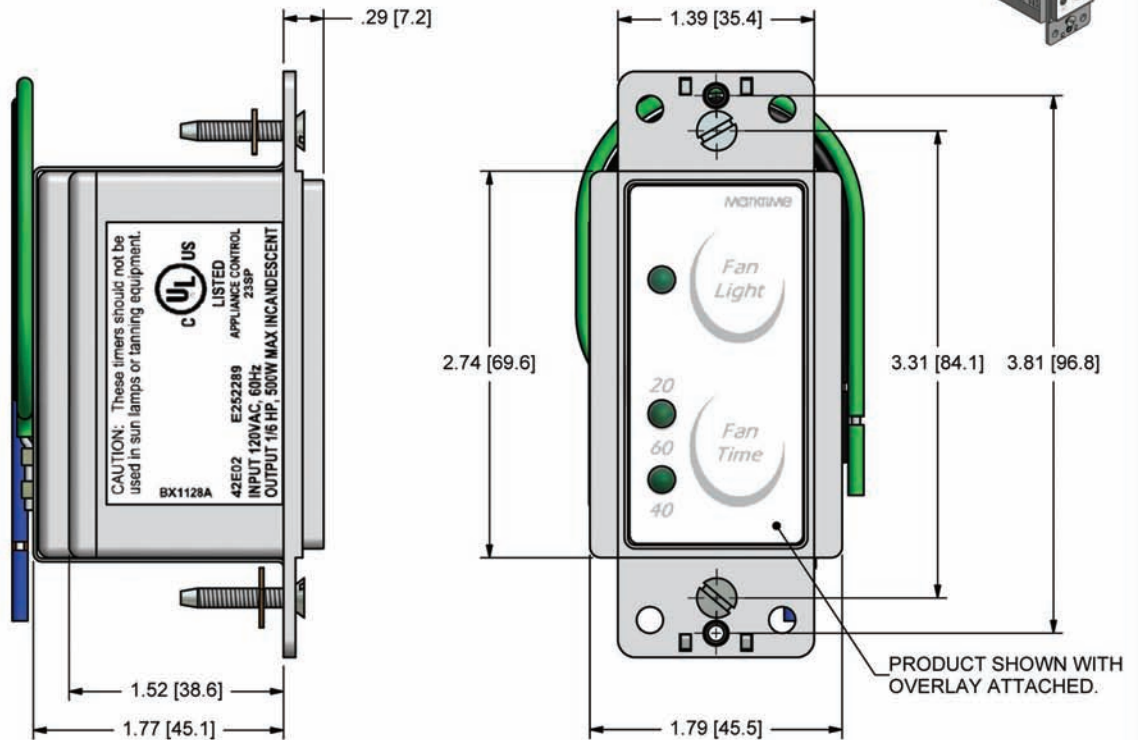
MARKTIME MODEL 42E02

42E SERIES ELECTRONIC WALL BOX TIME SWITCH

PACKAGED ASSEMBLY (MODEL 42702-1)

CONTENTS:

- TIME SWITCH WITH CAPTIVE MOUNTING SCREWS
- WHITE AND IVORY OVERLAYS
- INSTRUCTION SHEET
- WIRE NUTS



NOTES:

- 1) RATINGS:
INPUT: 120VAC, 60HZ
OUTPUT: 1/6HP (4.4A) MOTOR, 500 WATTS INCANDESCENT
- 2) UL & C-UL LISTED, FILE E252289
- 2) ENCLOSURE: ABS, UL94 5V-A RATING
- 3) OPERATING TEMPERATURE: 0-55°C (32-131°F)
- 4) DIMENSIONS: INCH[MM] FOR REFERENCE ONLY.
- 5) DRAWING APPROVED FOR CUSTOMER RELEASE.

DRAWN BY AS 11/09/06	M.H. RHODES DIVISION OF CAPEWELL COMPONENTS CO., LLC 105 NUTMEG ROAD SOUTH SOUTH WINDSOR, CT 06074		
CHECK	42E02 WALL BOX TIME SWITCH		
ENGINEER	SIZE A	FROM NO. 1YPF2	DRAWING NO. 42E02DWG01
APPROVED	SCALE 1:1	REV -	SHEET 1 OF 1

**Call 860-291-8402 or
visit mhrhodes.com for
more product information.**

105 Nutmeg Road South • South Windsor, CT 06074 USA
Phone: 860-291-8402 • Fax: 860-610-0897 • Web: mhrhodes.com

MarkTime® is a Registered Trademark of M.H. Rhodes, a division of Capewell Components Company, LLC